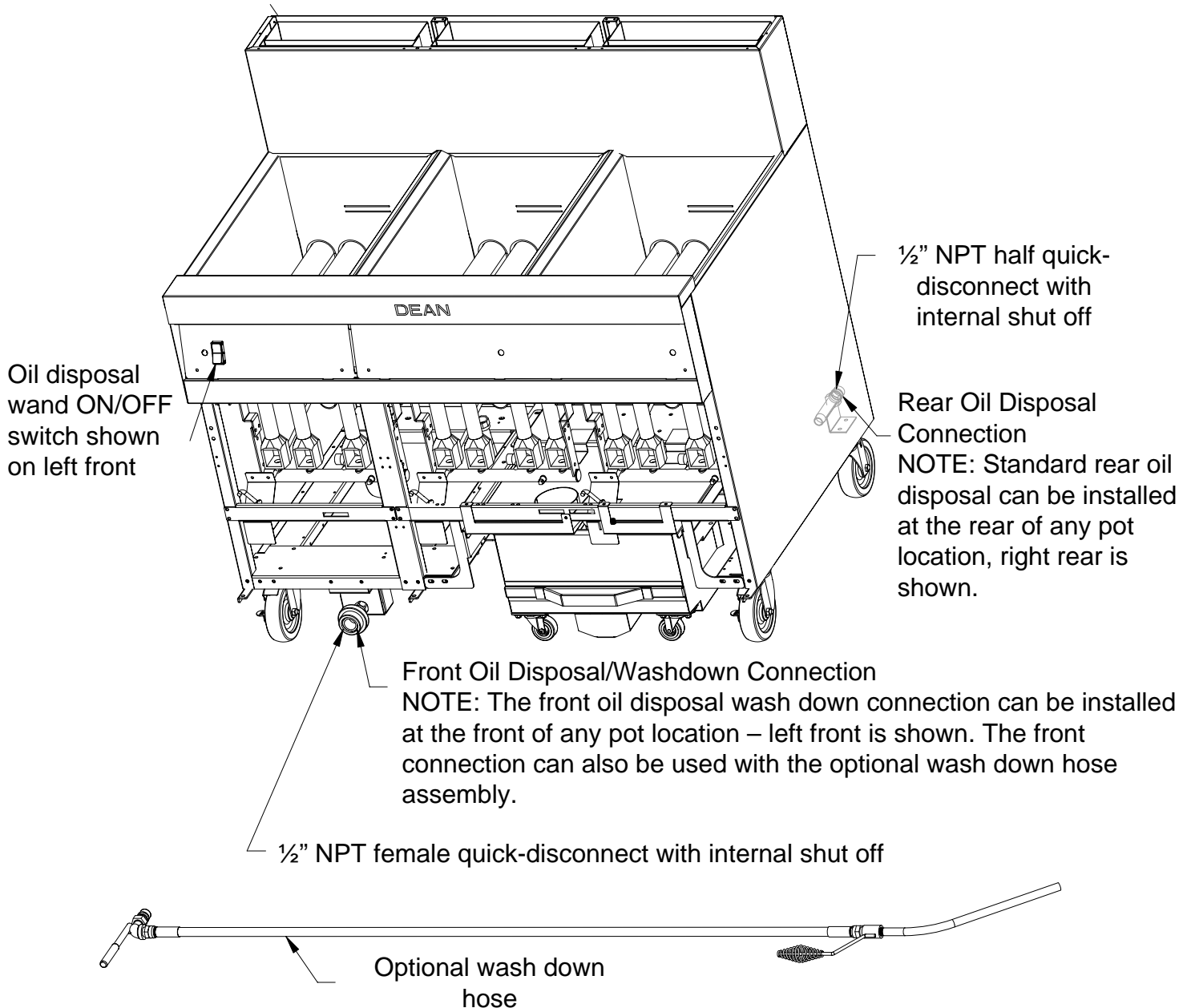


Dean Oil Disposal/Washdown Kit

826-2689, 826-2690



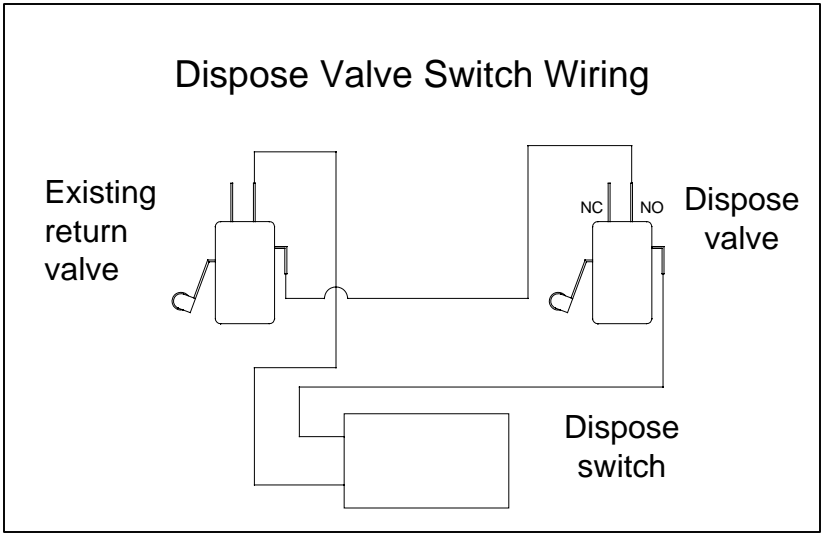
1. Attach the optional wash down hose and aim it into a drained pot or attach the in-house disposal hose to the disposal system. Ensure the filter pan is clean and equipped for filtering.
2. Activate the fryer filter pump with the wand switch on the front of the fryer.
3. Filtered oil flows through the wand to the empty pot or to the disposal system.

NOTE

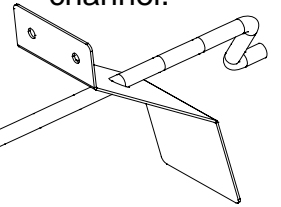
Standard front and rear disposal connections are 1/2" NPT female with shut-off and 1/2" NPT male with shut-off fittings. If the male and female fittings need to be switched on the 1/2" NPT disposal system, options can be ordered.

Shut-off valve assemblies with an integral safety switch are available as an option for the front and rear disposal/wand systems.

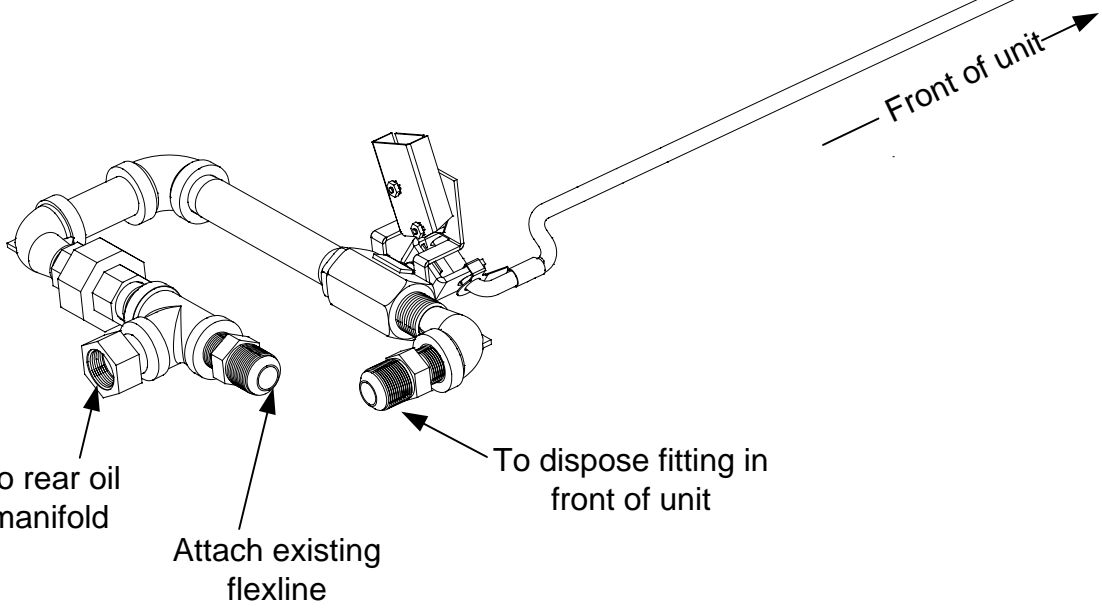
Dispose Valve Switch Wiring



Mount handle bracket on heat shield or base channel.



Heat shield bracket shown



To rear oil manifold

Attach existing flexline

To dispose fitting in front of unit

Front of unit